

www.ering.de

MOTOR

- 1 Zylinder, Zylinderkopf
- 2 Kurbelwelle, Kolben
- 3 Lüfter
- 4 Luftfilter, Vergaser
- 5 Kurbelgehäuse, Ölpumpe
- 6 Getriebe
- 7 Kickstarter
- 8 Antriebsriemen, Varioma
- 9 Kurbelgehäuse Aufhängung
- 10 Lichtmaschine, Starter
- 11 Auspuff

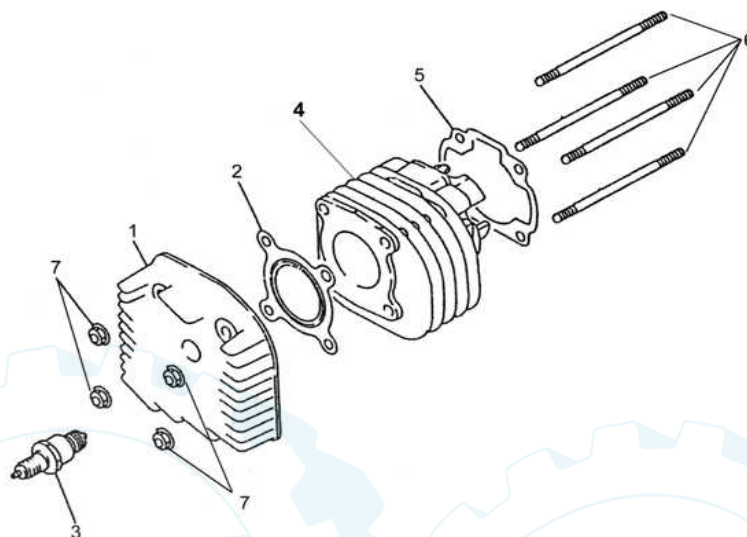
COVERTEILE, LICHT,.....

- 1 Rahmen
- 2 Radaufhängung
- 3 Coverteile
- 4 Sitz
- 5 Tank, Öltank
- 6 Federung
- 7 Vorderreifen
- 8 Hinterreifen
- 9 Vorderbremse
- 10 Hinterbremse
- 11 Lenker
- 12 Rammschutz, Fußrasten
- 13 Kette, Hinterachse
- 14 Lenkgestänge, Lagerung
- 14a Lenkgestänge, Lagerung
- 15 Elektrik
- 15a Elektrik
- 16 Gepäckträger
- 17 Spiegel, Vorderlicht, Verpackung



ERING

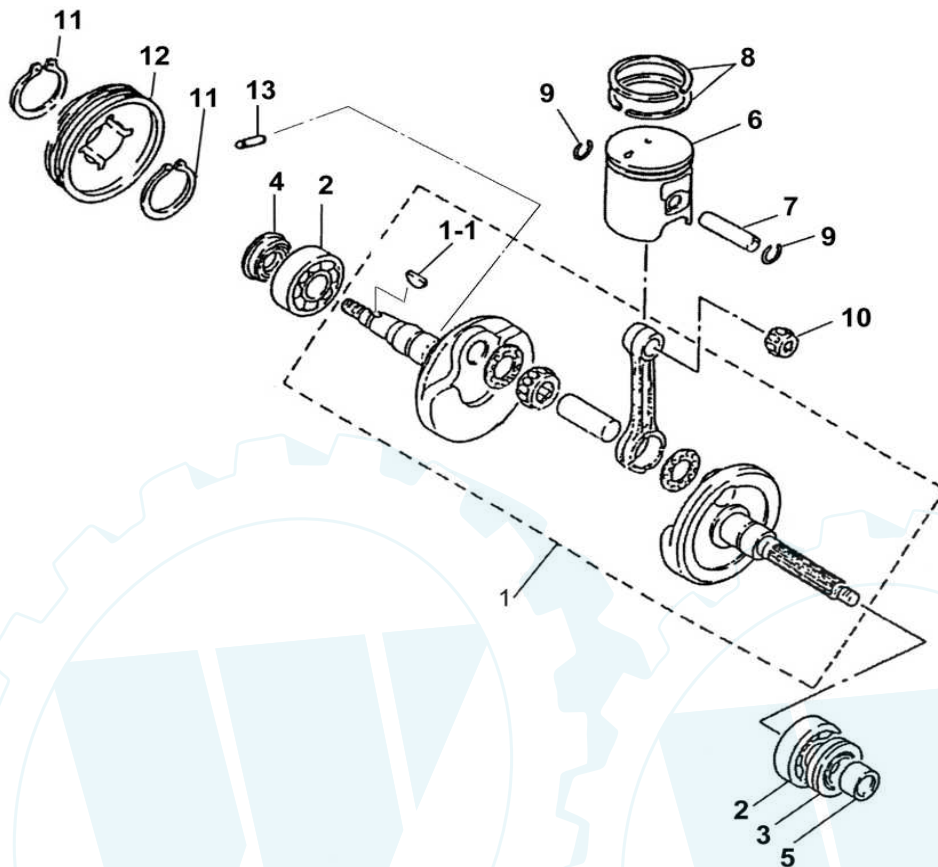
1. CYLINDER, HEAD



ITEM	PART NO	DESCRIPTION	Q'TY
1		CYLINDER, HEAD	
1-1	A2200-B02-0000	HEAD CYLINDER (φ40)	1
1-2	A2251-B02-0000	GASKET CYLINDER HEAD	1
1-3	I4701-00264	SPARK PLUG (NGK BPR7HS)	1
1-4	A2100-B02-0000	CYLINDER	1
1-5	A2191-B02-0000	GASKET CYLINDER	1
1-6	I0031-07109	BOLT STUD. (M7×109)	4
1-7	I4050-07080	FLANGE NUT	4

ERING

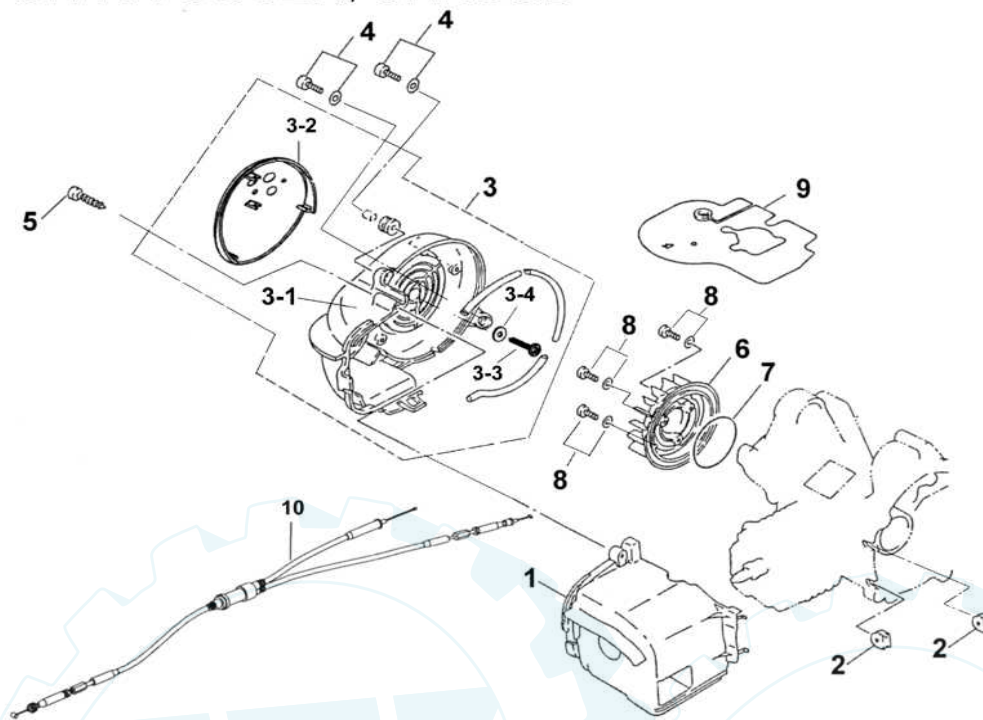
2. CRANKSHAFT, PISTON



ITEM	PART NO	DESCRIPTION	Q'TY
2		CRANKSHAFT, PISTON	
2-1	A3000-B02-9000	CRANKSHAFT ASSY.	1
2-1-1	I0701-B00-0000	KEY, WODRUFF (3×13)	1
2-2	I1002-62040	BRG RADIAL BALL (6204)	2
2-3	I1202-B00-0000	OIL SEAL (20×42×8)	1
2-4	I1201-B00-0000	OIL SEAL (20×30×6)	1
2-5	B8117-B02-0000	COLLAR (φ15×φ20×12.5)	1
2-6	A3101-B02-0000	PISTON	1
2-7	A3111-B02-0000	PIN PISTON (φ10×33)	1
2-8	A3011-B02-0000	PISTON RING SET (φ40)	1
2-9	I4601-B02-0000	CIRCLIP (φ12)	2
2-10	I1102-B02-0000	BRG. CON-ROD	1
2-11	I4510-19000	CIRCLIP	2
2-12	A5131-B00-0000	GEAR PUMP DRIVE	1
2-13	I6220-03012	PIN DOWEL (φ3×12)	1

ERING

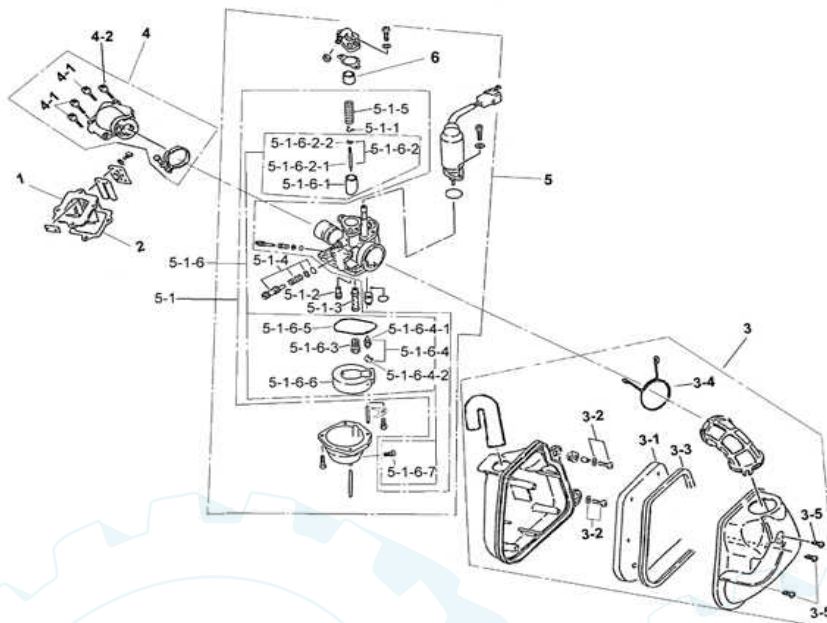
3. FAN COVER, SHROUD



ITEM	PART NO	DESCRIPTION	Q'TY
3		FAN COVER, AIR SHROUD	
3-1	A9620-B02-0000	AIR SHROUD, CYLINDER	1
3-2	A1207-B00-0000	GROMMET	2
3-3	A961A-5EA0-0800	FAN COVER ASSY.	1
3-3-1	A9610-B00-0000	FAN COVER, SHROUD PLATE	1
3-3-2	A9616-B00-0000	FAN COVER CAP	1
3-3-3	I3903-45380	SELF-TAPPING SCREW	1
3-3-4	I4101-05316	WASHER	1
3-4	I3891-06020	SCREW, W/WASHER (M6×20)	2
3-5	I3911-06040	SELF-TAPPING SCREW	1
3-6	A9510-B02-0000	FAN	1
3-7	I1302-B00-0000	O-RING (φ64.4×3.1)	1
3-8	I3893-06016	SCREW, W/WASHER (M6×16)	3
3-9	H0153-B00-0000	DEFLEVTOR	1
3-10	A7910-9FA0-0000	CABLE ASSY., THROTTLE	1

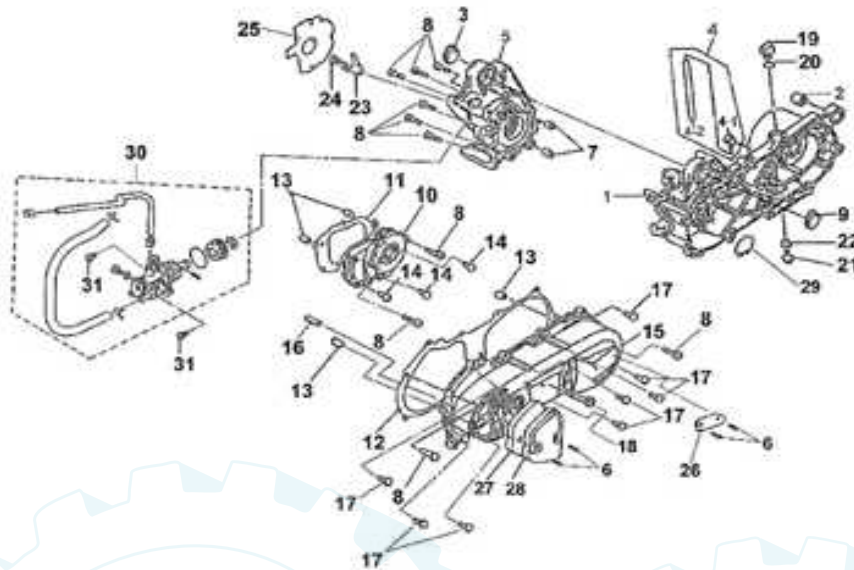
ERING

4.AIR CLEANER, REED VALVE, CARBURETOR



ITEM	PART NO	DESCRIPTION	Q'TY
4		AIR CLEANER, REED VALVE, CARBURETOR	
4-1	A410A-B00-0000	REED VALVE ASSY.	1
4-2	A6201-B00-0000	GASKET, VALVE SEAT	1
4-3	A720A-B00-7000	AIR CLEANER ASSY. (ATV)	1
4-3-1	A7205-B00-0000	ELEMENT, AIR CLEANER	1
*4-3-2	I3891-06020	SCREW WITH WASHER	2
*4-3-3	A7214-B00-0000	SEAL	1
*4-3-4	I0652-B00-0000	CLIP	1
*4-3-5	I3903-05025	SELF-TAPPING SCREW	3
4-4	A711A-B00-0000	MANIFOLD, INTAKE	1
*4-4-1	I6001-06020	BOLT, HEXAGON HEAD	3
*4-4-2	I6001-B02-0000	BLOT, BREAKING	1
4-5	A6100-B02-0001	CARBURETOR ASSY.	1
4-5-1	A6100-B02-A001	MAINTENANCE KIT ASSY.	1
*4-5-1-1	KAC30310	CLIP	1
*4-5-1-2	KAC30510	SLOW JET (*20)	1
*4-5-1-3	KAB90610	NEEDLE JET (*426 E-1)	1
*4-5-1-4	KAC30840	THROTTLE ADJUSTING SCREW	1
*4-5-1-5	KAC31810	THROTTLE VALVE SPRING	1
4-5-1-6	A6100-B02-A002	MAINTENANCE KIT	1
*4-5-1-6-1	KAC30110	THROTTLE VALVE (*3.0)	1
*4-5-1-6-2	KAB90220	JET NEEDLE ASSY. (*3CR1)	1
*4-5-1-6-2	KAB90221	JET NEEDLE (*3CR1)	1
*4-5-1-6-2	KAC30222	E CLIP	1
*4-5-1-6-3	KAC30410	MAIN JET *85	1
*4-5-1-6-4	KAC31120	NEEDLE VALVE ASSY.	1
*4-5-1-6-4	KAC31121	NEEDLE VALVE	1
*4-5-1-6-4	KAC31122	FLOAT CLIP	1
*4-5-1-6-5	KAC30910	CHAMBER O-RING	1
*4-5-1-6-6	KAC31210	FLOAT A'SSY	1
*4-5-1-6-7	KAC31410	DRAIN SCREW	1

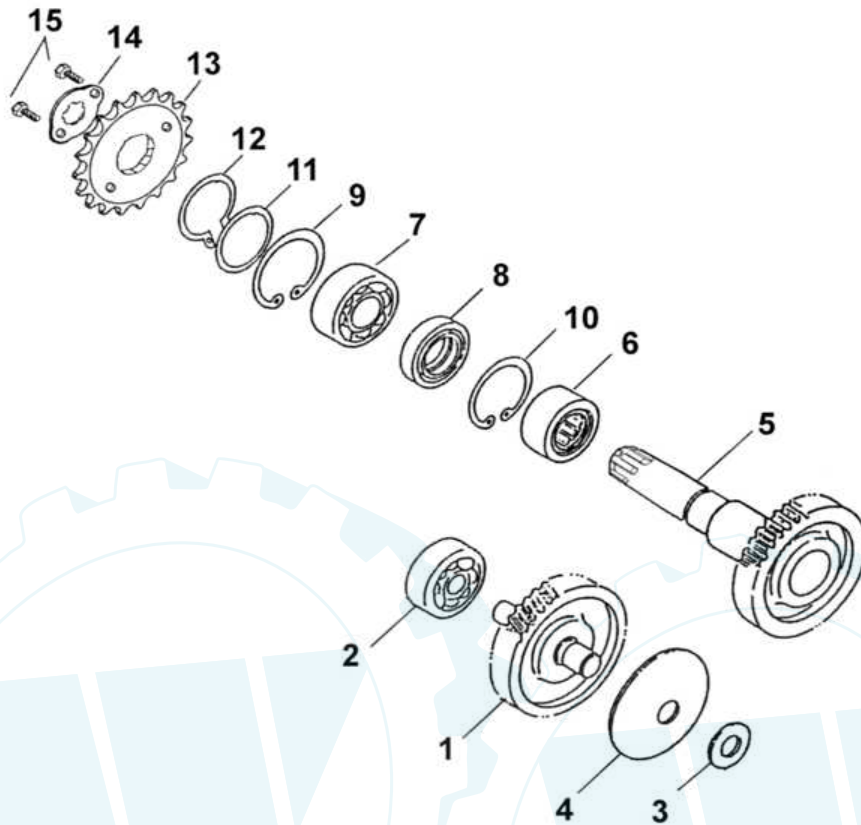
ERING

5.CRANK CASE,COVER,OIL PUMP

ITEM	PART NO	DESCRIPTION	Q'TY
5		CRANK CASE, COVER, OIL PUMP	
5-1	A1200-B02-9900	CRANK CASE (L)	1
5-2	A1208-B00-0000	BUSH REAR SHOCK ABSRBER	1
5-3	A1105-B00-0000	RUBBER CAP, R.	1
5-4	A122A-B00-0000	HOSE BREATHER ASSY.	1
*5-4-1	A1206-B00-0000	BREATHER JOINT	1
*5-4-2	A1221-B00-0000	HOSE	1
5-5	A1100-B02-0900	CRANK CASE R	1
5-6	I3500-05008	SCREW BUTTON HEAD CAP(M5×8)	4
5-7	I4301-12160	PIN, DOWEL (φ12×16)	2
5-8	I3500-06035	SCREW, PAN HEAD (M6×35)	10
5-9	A1205-B00-0000	RUBBER CAP, (L)	1
5-10	B1301-B00-0000	COVER, MISSION	1
5-11	B1395-B00-0000	GASKET, MISSION COVER	1
5-12	A1395-B00-0000	GASKET, CRANKCASE COVER L.	1
5-13	I4301-10140	PIN, DOWEL (φ10×14)	4
5-14	I3500-06020	SCREW, PAN HEAD (M6×20)	3
5-15	A1341-B02-0000	COVER CRANK CASE L	1
5-16	A1342-B00-0000	SHAFT (φ8×31)	1
5-17	I3500-06025	SCREW, PAN HEAD (M6×25)	8
5-18	I3500-06065	SCREW, PAN HEAD (M6×65)	1
5-19	A5651-B00-0000	PLUG, OIL	1
5-20	I1303-13825	O-RING (φ13.8×2.5)	1
5-21	I5801-08016	BOLT,FLANGE (M8×16)	1
5-22	I4109-B00-0000	WASHER (φ8×14×1.5)	1
5-23	A1121-B00-0000	HOLDER	1
5-24	I3500-06012	SCREW, PAN HEAD	1
5-25	A1393-B00-0000	GASKET, CRANKCASE COVER	1
5-26	A1364-B02-0000	PLATE	1
5-27	A1362-B02-0000	ELEMENT	1
5-28	A1363-B02-0000	GUIDE, ELEMENT	1
5-29	I4520-B00-0000	CIRCLIP(φ45.5×17.5)	1
5-30	A510A-B02-9000	OIL PUMP ASSY.	1
5-31	I3500-05014	SCREW, PAN HEAD (M5×14)	2

ERING

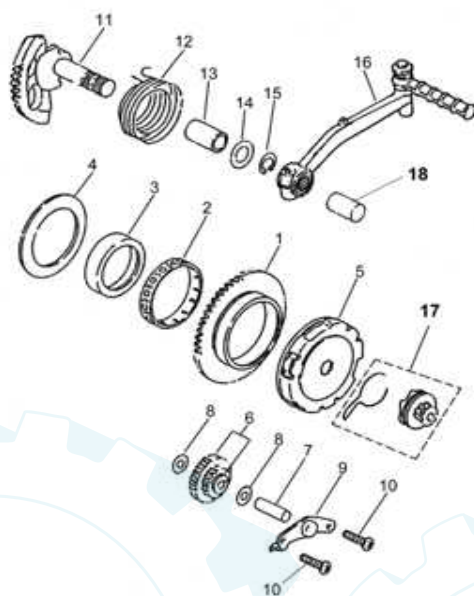
6. TRANSMISSION



ITEM	PART NO	DESCRIPTION	Q'TY
6		TRANSMISSION	
6-1	B3420-B02-0000	MAIN AXLE COMP (12×48T)	1
6-2	I6100-62010	BEARING (6201)	1
6-3	I4101-12223	WASHER, PLATE	1
6-4	B3425-B00-0000	WASHER, CONICAL SPRING	1
6-5	B343A-B02-9000	DRIVE AXLE	1
6-6	I1106-25150	BEARING (HMK2515)	1
6-7	I6100-6004LLUA	BEARING (6004LLUA)	1
6-8	I1204-B00-0000	OIL SEAL (25×35×6)	1
6-9	I4520-B00-0000	CIRCLIP (φ45.5×17.5)	1
6-10	I4530-B00-0000	CIRCLIP (φ34.4×1.2)	1
6-11	I0454-20010	WASHER THRUST	1
6-12	I4510-2000	CIRCLIP#20	1
6-13	B3801-B00-9000	DRIVE CHAIN SPROCKET(15T)	1
6-14	B3811-A00-0000	PLATE A2 FIXING	1
6-15	I2000-06010	BOLT HEXAGON HEAD	2

ERING

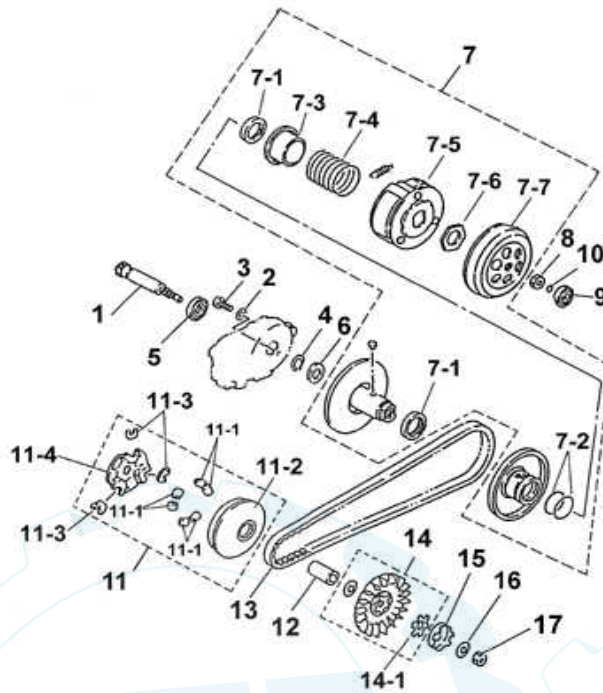
7.KICK SHAFT ASSY., STARTER CLUTCH ASSY.



ITEM	PART NO	DESCRIPTION	Q'TY
7		KICK SHAFT ASSY., STARTER CLUTCH ASSY.	
7-1	B8110-B02-0000	WHEEL STARTER	1
7-2	I1104-B00-0000	BEARING NEDDLE	1
7-3	B8115-B00-0000	BOSS, GEAR	1
7-4	B8116-B00-0000	WASHER, PLATE (56×76×0.5)	1
7-5	B812A-B02-0000	STARTER CLUTCH ASSY.	1
7-6	B810A-B02-0000	IDLER GEAR ASSY.	1
7-7	B8102-B02-0000	SHAFT IDLER GEAR (φ8×29)	1
7-8	I0441-B00-0000	WASHER, PLATE	2
7-9	B8105-B00-0000	PLATE, IDLER GEAR	1
7-10	I3500-06012	SCREW, PAN HEAD	2
7-11	B8250-B00-9000	KICK SHAFT ASSY.	1
7-12	B8281-B00-0000	SPRING, TORSION	1
7-13	B8254-B00-0000	BUSH, SOLID	1
7-14	I0451-B00-0000	WASHER, PLATE	1
7-15	I4510-15000	CIRCLIP	1
7-16	B8300-9FA0-8000	KICK CRANK ASSY.	1
7-17	B823A-B00-0000	KICK PINION ASSY.	1
7-18	A1000-5EA0-0000	RUBBER CAP,KICK SHAFT	1

ERING

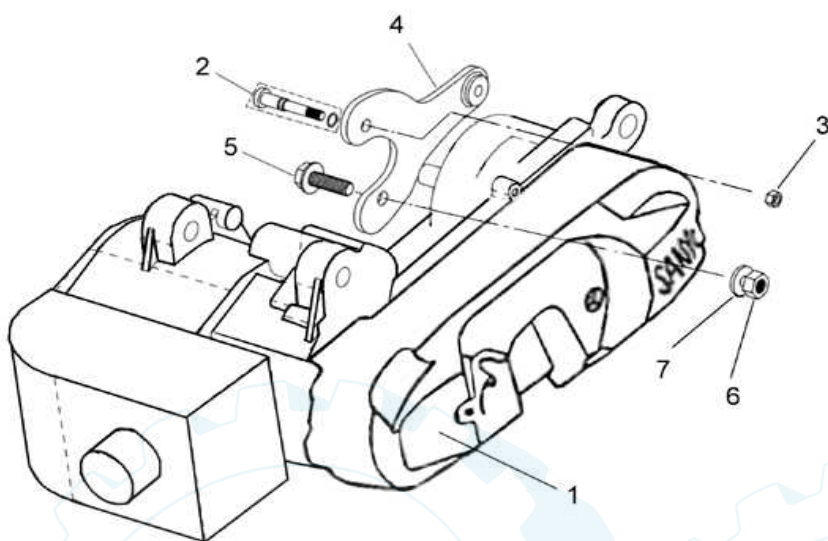
8.DRIVEN PULLEY (CVT)



ITEM	PART NO	DESCRIPTION	Q'TY
8		DRIVEN PULLEY (CVT)	
8-1	B3411-B02-0000	GEAR, PRIMARY DRIVE	1
8-2	I4101-06193	WASHER, PLATE	1
8-3	I3500-06010	SCREW, PAN HEAD (M6×10)	1
8-4	I4510-17000	CIRCLIP	1
8-5	I6100-60030	BEARING RADIAL BALL (6003)	1
8-6	I1203-B00-0000	OIL SEAL (17×28×5.5)	1
8-7	B301A-B02-9000	SECONDARY SHEAVE ASSY.	1
*8-7-1	I1211-B00-0000	SEAL,OIL	2
*8-7-2	I1305-B00-0000	O-RING	2
*8-7-3	B3237-B00-0000	SEAT,SECONDARY SPRING	1
*8-7-4	B3233-B02-0000	SPRING COMP RESSION	1
*8-7-5	B2300-B00-0000	CLUTCH CARRIER ASSY	1
*8-7-6	I0202-B00-0000	NUT,FLANGE	1
*8-7-7	B2100-B00-0000	CLUTCH HOUSING COMP	1
8-8	I4050- B00-0000	FLANGE NUT (M10×1.0)	1
8-9	I6100-638ZZ	BEARING RADIAL BALL	1
8-10	I1304-B00-0000	O-RING (φ6.45×3.1)	1
8-11	B211A-B02-0000	PRIMARY SLIDING SHEAVE COMP.	1
*8-11-1	B2121-B02-0000	ROLLER SET WEIGHT	6
*8-11-2	B2110-B02-0000	PRIMARY SLIDING SHEAVE	1
*8-11-3	B2132-B00-0000	SLIDER	3
*8-11-4	B2131-B02-0000	PLATE RAMP	1
8-12	B2105-B02-0000	COLLAR	1
8-13	B3100-B00-0000	V-BELT	1
8-14	B2102-B02-0000	SHEAVE, PRIMARY FIXED	1
*8-14-1	B2103-B02-0000	WASHER,CLAW	1
8-15	B8211-B02-0000	CLUTCH, ONEWAY	1
8-16	I4102-10246	WASHER, CONICAL SPRING	1
8-17	I4001-10000	NUT,HEXAGON (M10×1.25)	1

ERING

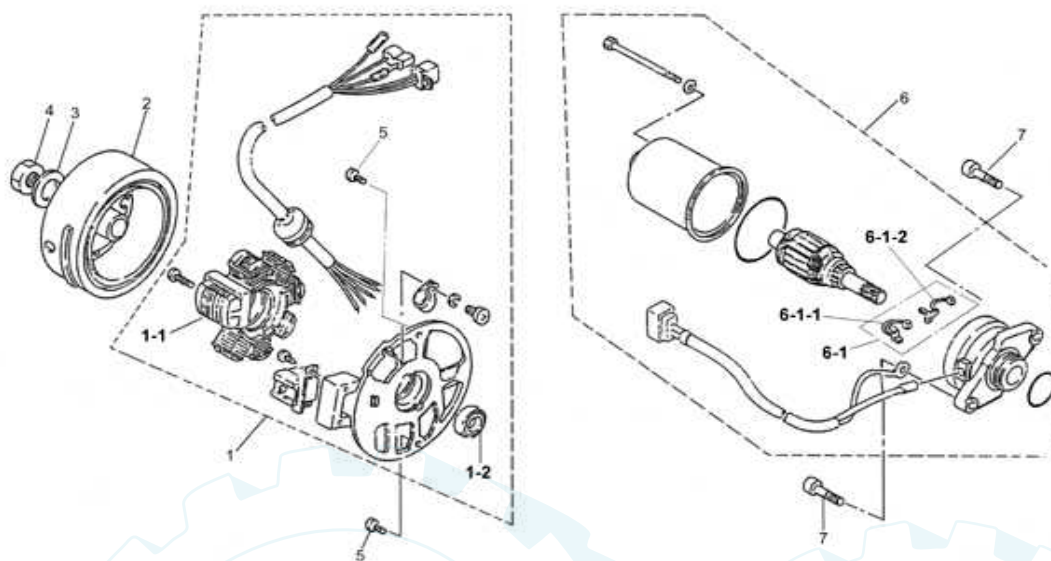
9.ENGINE BRACKET



ITEM	PART NO	DESCRIPTION	Q'TY
9		ENGINE, ATV	
9-1	A0000-5FA0-0000	ENGINE, ATV	1
9-2	A1204-B00-9000	PIN, PIVOT	1
9-3	I0309-08008	NUT, FLANGE CHECK	1
9-4	A1241-B00-9000	ENGINE BRACKET	1
9-5	I0190-12038	BOLT,FLANGE(M12×38)	1
9-6	I4001-12080	NUT,HEXAGON(M12)	1
9-7	I0459-12010	WASHER	1

ERING

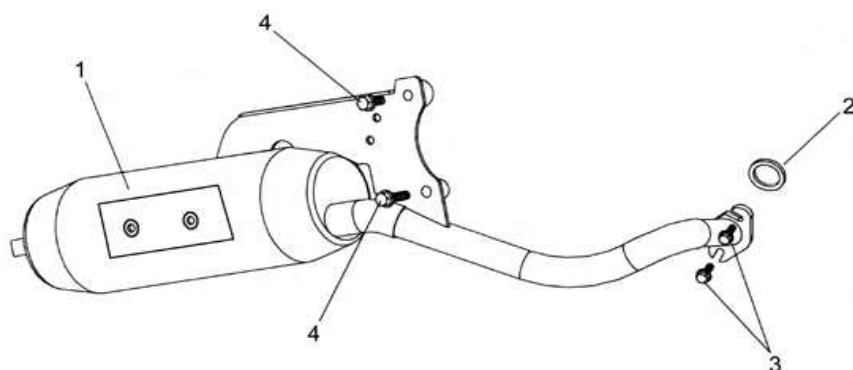
10.GENERATOR, START MOTOR



ITEM	PART NO	DESCRIPTION	Q'TY
10		GENERATOR, START MOTOR	
10-1	C112A-B00-0000	A.C. GENERATOR ASSY.	1
*10-1-1	C1120-B00-0000	STRATOR COMP	1
*10-1-2	I1205-B00-0000	SEAL OIL(19×26×5)	1
10-2	C1110-B02-0000	FLYWHEEL COMP.	1
10-3	I0440-10515	WASHER, PLATE	1
10-4	I4001-10000	NUT HEXAGON (M10×1.25)	1
10-5	I3500-06016	SCREW, PAN HEAD	2
10-6	C1200-B02-0000	STARTER MOTOR ASSY.	1
*10-6-1	C1220-B02-0000	CARBON BRUSH ASSY.	1
*10-6-1-1	C1221-B02-0000	POSITIVE CARBON BRUSH	1
*10-6-1-2	C1222-B02-0000	NEGATIVE CARBON BRUSH	1
10-7	I6001-06022	NO: 11 BOLT HEXAGON HEAD (M6×	2

ERING

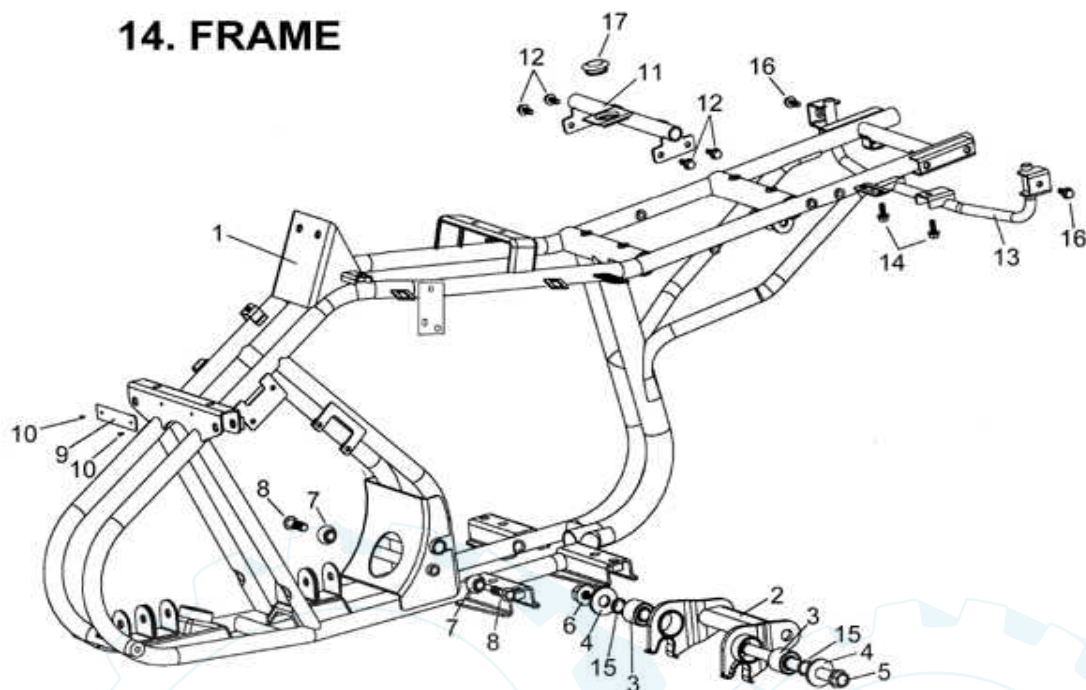
13. MUFFLER



ITEM	PART NO	DESCRIPTION	Q'TY
13		MUFFLER ASSY.	
13-1	A830A-5FA0-0000	EXHAUST PIPE ASSY.	1
13-2	A8291-5AA0-0000	GASKET ($\phi 34 \times 25.4 \times 4$)	1
13-3	I0149-06810	BOLT, FLANGE (M6 \times 18)	2
13-4	I0149-08036-01	BOLT, FLANGE (M8 \times 36)	2

ERING

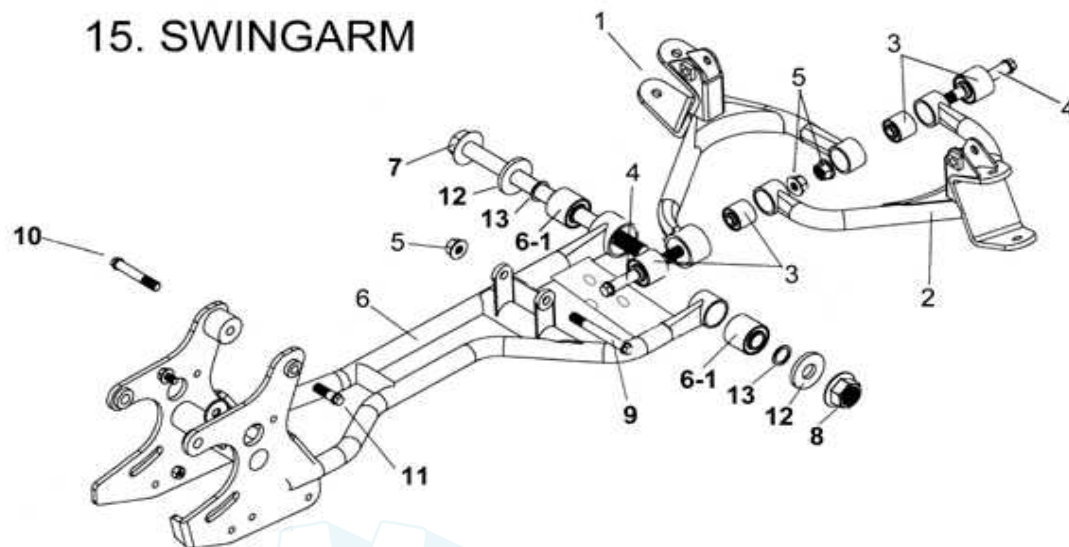
14. FRAME



ITEM	PART NO	DESCRIPTION	Q'TY
14		FRAME	
14-1	E0100-9FA0-0000	FRAME COMP.	1
14-2	E0350-9FA0-0000	ENGINE SUSPENSION ASSY.	1
14-3	E2202-9FA0-0000	BUSH	2
14-4	E0111-9FA0-0000	WASHER($\phi 15 \times 36 \times 3$)	2
14-5	E0351-9FA0-0000	ENGINE SET BOLT(M14 \times 230)	1
14-6	I5611-14200	NUT,FLANGE CHECK(M14)	1
14-7	E0353-9FA0-0000	RUBBER, ENGINE SUSPENSION	2
14-8	I0149-10030	BOLT,FLANGE (M10 \times 30)	2
14-9	H7501-5FA0-0000	VIN NO. PLATE	1
14-10	H750A-5BA1-0000	NAIL PULL	2
14-11	E0105-9FA0-0000	BRACKET, SEAT	1
14-12	I0149-06016	BOLT,FLANGE (M6 \times 16)	4
14-13	E0110-9FA0-0000	SUPPORT BAR, TAIL LIGHT	1
14-14	I0149-06010	BOLT,FLANGE(M6 \times 12)	2
14-15	E0112-9FA0-0000	WASHER	2
14-16	I0119-06802	BOLT,HEXAGON HEAD(M6 \times 16)	2
14-17	E0113-9FA0-0000	RUBBER, SEAT	1

ERING

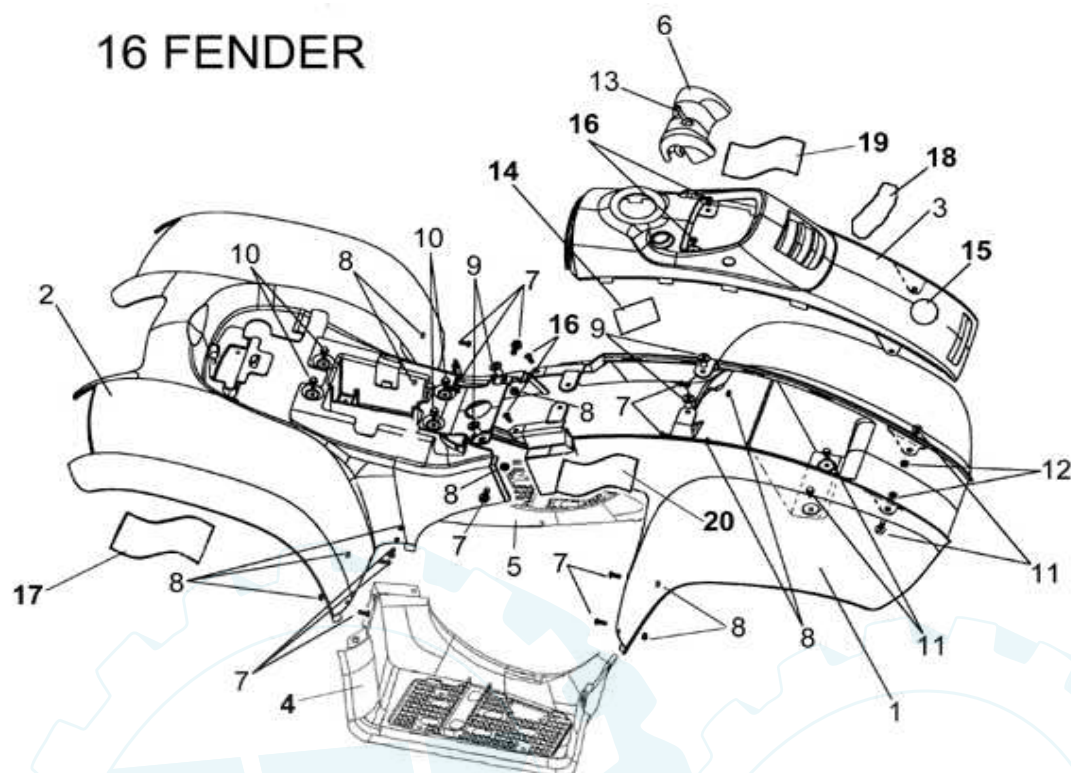
15. SWINGARM



ITEM	PART NO	DESCRIPTION	Q'TY
15		SWING ARM	
15-1	E0200-9FA0-0000	ARM, SUSPENSION, L.H.	1
15-2	E0210-9FA0-0000	ARM, SUSPENSION, R.H.	1
15-3	E0201-9FA0-0000	BUSH, ARM SUSPENSION	4
15-4	I0149-10080	BOLT,FLANGE(M10×80)	2
15-5	I5611-10200	NUT,HEXAGON CHECK(M10)	3
15-6	E220A-9FA0-0010	SWING ARM SUB ASSY.	1
15-6-1	E2202-9FA0-0000	BUSH	2
15-7	E0351-9FA0-0000	BOLT(M14×230)	1
15-8	I5611-14200	NUT,FLANGE CHECK(M14)	1
15-9	I0149-10085	BOLT,FLANGE (M10×85)	1
15-10	I0149-10060	BOLT,FLANGE (M10×60)	1
15-11	I0149-10030	BOLT,FLANGE (M10×30)	1
15-12	E0111-9FA0-0000	WASHER	2
15-13	E0112-9FA0-0000	WASHER	2

ERING

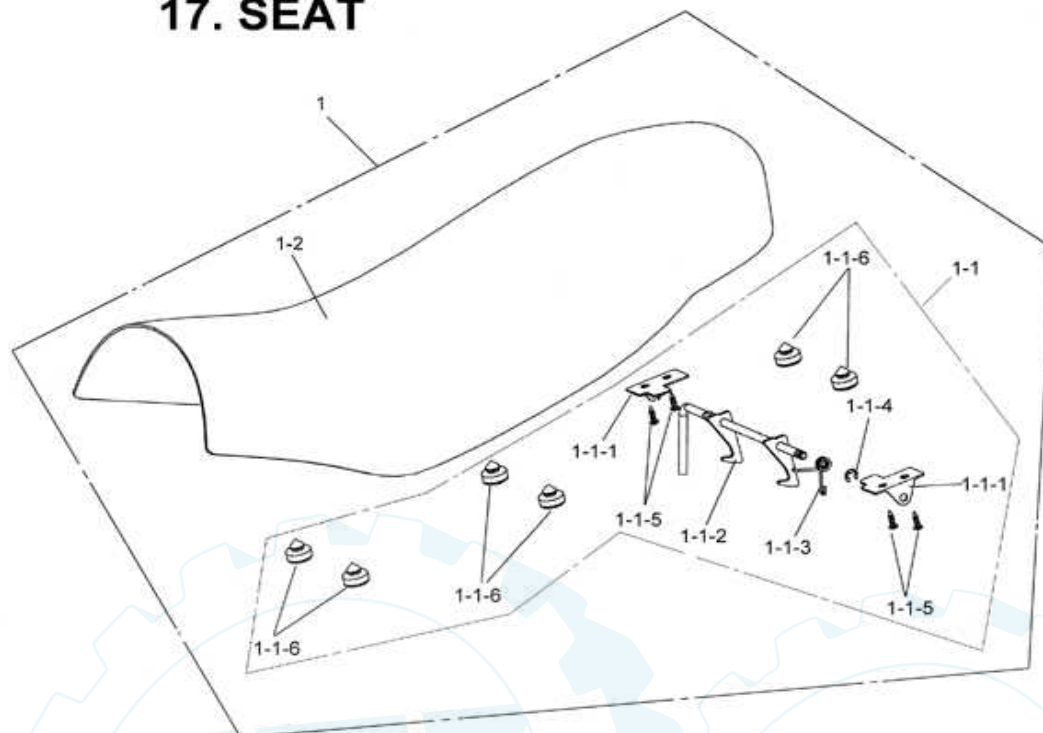
16 FENDER



ITEM	PART NO	DESCRIPTION	Q'TY
16		FENDER	
16-1	F4300-9FA0-0700	FRONT FENDER(SILVER)	1
	F4300-9FA0-1200	FRONT FENDER(RED)	1
	F4300-9FA0-3200	FRONT FENDER(METAL RED)	1
	F4300-9FA0-4400	FRONT FENDER(METAL BLUE)	1
16-2	H3500-9FA0-0700	REAR FENDER(SILVER)	1
	H3500-9FA0-1200	REAR FENDER(RED)	1
	H3500-9FA0-3200	REAR FENDER(METAL RED)	1
	H3500-9FA0-4400	REAR FENDER(METAL BLUE)	1
16-3	F4301-9FA0-0200	FRONT CENTRAL COVER(RED)	1
	F4301-9FA0-0800	FRONT CENTRAL COVER (BLACK)	1
16-4	H3520-9FA0-1000	FOOTREST, PLACTIC PART, RIGHT	1
16-5	H3620-9FA0-1000	FOOTREST, PLACTIC PART, LEFT	1
16-6	E3205-9FA0-0200	COVER, HANDLE BAR(RED)	1
	E3205-9FA0-0800	COVER, HANDLE BAR(BLACK)	1
16-7	E0117-9EA0-0000	SCREW(M6×18)	11
16-8	I5611-06200-OG	NUT,SELF LOCK	11
16-9	F4312-9FA0-0000	NUT, PLACTIC	4
16-10	I0109-5BA1-0000	BOLT,HEXAGON HEAD	4
16-11	I7507-08020	BOLT,HEXAGON HEAD(M8×20)	4
16-12	I5611-08200	FLANGE SELF-LOCK NUT(M8)	2
16-13	I0050-06010	BOLT(M6×10)	1
16-14	H7100-5FA0-0000	LABEL TIRE	1
16-15	H7107-5EB0-0000	EMBLEM, E-TON(SILVER)	1
16-16	I8310-06025	SCREW(M6×25)	4
16-17	F4315-9FA0-0000	ISOLATE FOAM (100×150mm)	1
16-18	H7110-5FA0-0200	STICKER, CENTRAL COVER (TORN,	1
	H7110-5FA0-0700	STICKER, CENTRAL COVER (TORN,	1
16-19	H7103-5FA0-0000	STICKER,DXL-50(LEFT)	1
16-20	H7104-5FA0-0000	STICKER,DXL-50(RIGHT)	1

ERING

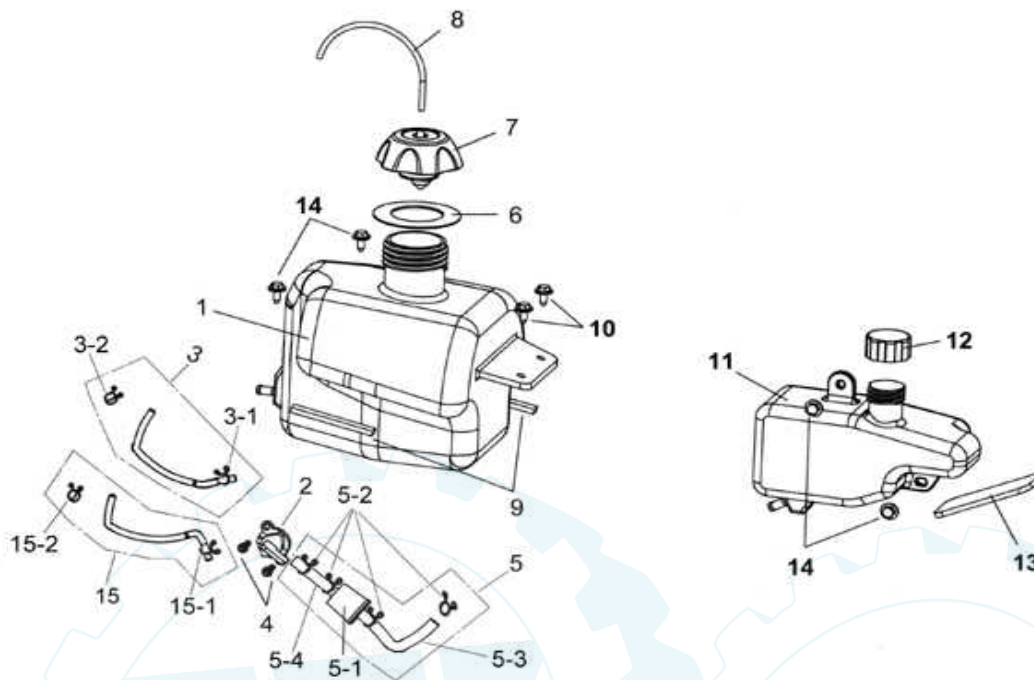
17. SEAT



ITEM	PART NO	DESCRIPTION	Q'TY
17		SEAT	
17-1	G7200-9FA0-0200	SEAT ASSY. (RED)	1
	G7200-9FA0-0800	SEAT ASSY. (BLACK)	1
17-1-1	G7201-9FA0-0000	SEAT FIXER ASSY	1
17-1-1-1	G7221-9FA0-0000	SEAT FIXER	2
17-1-1-2	G7226-9FA0-0000	LEVEL ASSY.	1
17-1-1-3	G7227-9FA0-0000	LEVEL SPRING	1
17-1-1-4	G7230-9FA0-0000	E CLIP	1
17-1-1-5	G7231-9FA0-0000	SELF-TAPPING SCREW(M4×16)	4
17-1-1-6	G7232-9FA0-0000	PLUG RUBBER	6
17-1-2	G7200-9FA0-0000	SEAT	1

ERING

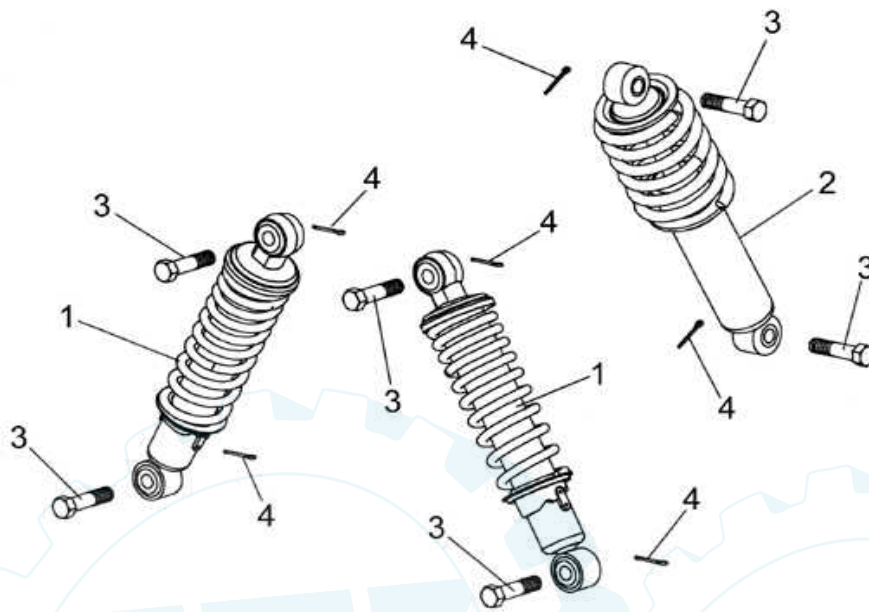
18. FUEL TANK, OIL TANK



ITEM	PART NO	DESCRIPTION	Q'TY
18		FUEL TANK , OIL TANK	
18-1	A7500-5FA0-0000	FUEL TANK ASSY.	1
18-2	A7520-5EA0-0000	MANUAL FUEL CUP ASSY.	1
18-3	A7501-9FA0-0000	FUEL TUBE	1
*18-3-1	A7516-5EA0-0000	CLIP(A)	1
*18-3-2	A7517-5EA0-0000	CLIP(B)	1
18-4	I8506-05016	SCREW(M5×16)	2
18-5	A7510-9FA0-1000	FUEL FILTER ASSY.	1
18-5-1	A7519-FIA0-1000	FILTER COMP FUEL	1
*18-5-2	A7516-5EA0-0000	CLIP(A)	4
*18-5-3	A7514-9FA0-0000	FUEL TUBE (A)	1
*18-5-4	A7515-9FA0-0000	FUEL TUBE (B)	1
18-6	A7622-9FA0-0000	RUBBER PAD, FUEL TANK CAP	1
18-7	A7620-9FA0-0000	FUEL TANK CAP ASSY.	1
18-8	A7621-9FA0-0000	BREATHE TUBE	1
18-9	A7509-9FA0-0000	PAD	2
18-10	I7507-06225	BOLT,HEXAGON HEAD(M6×25)	2
18-11	E5100-9FA0-0000	OIL TANK ASSY.	1
18-12	E5105-9FA0-0000	OIL TANK CAP ASSY.	1
18-13	E5108-9FA0-0000	RUBBER PAD	1
18-14	I0119-06821	BOLT, HEXAGON HEAD (M6×20)	4
18-15	A7502-9FA0-0000	SPARE TUBE	1
*18-15-1	A7516-5EA0-0000	CLIP(A)	1
*18-15-2	A7517-5EA0-0000	CLIP(B)	1

ERING

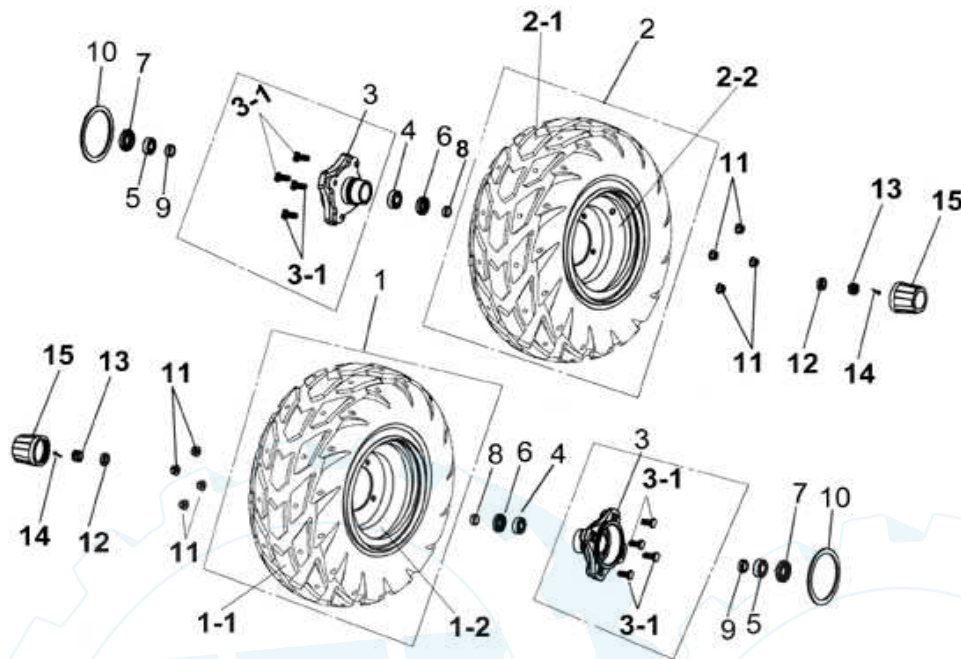
19. SUSPENSION



ITEM	PART NO	DESCRIPTION	Q'TY
19		SUSPENSION	
19-1	E1105-9FA0-0000	SUSPENSION, FRONT	2
19-2	E2400-9FA0-0000	SUSPENSION, REAR	1
19-3	I0102-10040B	BOLT,COTTER(M10x40)	6
19-4	I9900-25019	COTTER PIN	6

ERING

20. FRONT WHEEL



ITEM	PART NO	DESCRIPTION	Q'TY
20		FRONT WHEEL	
20-1	D471A-5FA0-0000	FRONT WHEEL ASSY.,LEFT	1
20-1-1	D4710-5FA0-0000	FRONT WHEEL TIRE(19×7-8)	1
20-1-2	D4602-5EB0-0000	WHEEL RIM	1
20-2	D471B-5FA0-0000	FRONT WHEEL ASSY.,RIGHT	1
20-2-1	D4710-5FA0-0000	FRONT WHEEL TIRE(19×7-8)	1
20-2-2	D4602-5EB0-0000	WHEEL RIM	1
20-3	D4610-9FA0-0000	BRAKE DRUM, FRONT	2
20-3-1	D4612-9FA0-0000	STUD	8
20-4	I6100-6202Z	OUTER BEARING(ψ 15×35×11)	2
20-5	I6100-6203Z	INNER BEARING(ψ 17×40×12)	2
20-6	D4624-9FA0-0000	OUTER OIL SEAL(ψ 20×35×7)	2
20-7	D4623-9FA0-0000	INNER OIL SEAL(ψ 22×40×7)	2
20-8	D4621-9FA0-0000	OUTER SPACER (ψ 15.5× ψ 20×8)	2
20-9	D4620-9FA0-0000	INNER SPACER(ψ 17× ψ 24×8)	2
20-10	D4611-9FA0-0000	GASKET, ANTIDUST	2
20-11	D4611-9EA0-0000	NUT,FLANGE CHECK(M10)	8
20-12	I9905-14200	WASHER(ψ 15×24×2.3)	2
20-13	I5500-14100	CASTLE NUT(M14)	2
20-14	I9900-30032	COTTER PIN	2
20-15	D4609-9FA0-0000	RUBBER CAP	2

ERING

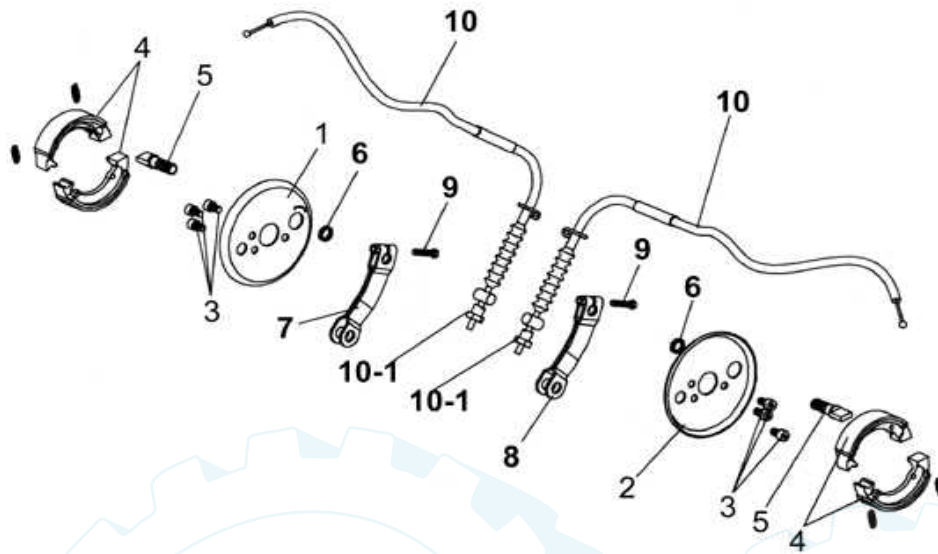
21. REAR WHEEL



ITEM	PART NO	DESCRIPTION	Q'TY
21		REAR WHEEL	
21-1	D471C-5FA0-0000	REAR WHEEL ASSY.,LEFT	1
21-1-1	D4711-5FA0-0000	REAR WHEEL TIRE ASSY	1
21-1-2	D4601-5EB0-0000	WHEEL RIM	1
	D4601-5FA0-0000	WHEEL RIM (8×7)	1
21-2	D471D-5FA0-0000	REAR WHEEL ASSY.,RIGHT	1
21-2-1	D4711-5FA0-0000	REAR WHEEL TIRE ASSY	1
21-2-2	D4601-5EB0-0000	WHEEL RIM	1
	D4601-5FA0-0000	WHEEL RIM (8×7)	1
21-3	D2705-9EA0-1000	SHAFT CONNECTER WITH BOLTS	2
21-4	D4611-9EA0-0000	NUT,FLANGE CHECK(M10)	8
21-5	D2309-5EA0-0000	WHEEL AXLE WASHER, REAR (ψ40)	2
21-6	I9905-14200	WASHER(ψ24×ψ15×2.3)	2
21-7	I5500-14100	CASTLE NUT(M14)	2
21-8	I9900-30032	COTTER PIN	2
21-9	D4609-5EA0-0000	RUBBER COVER	2

ERING

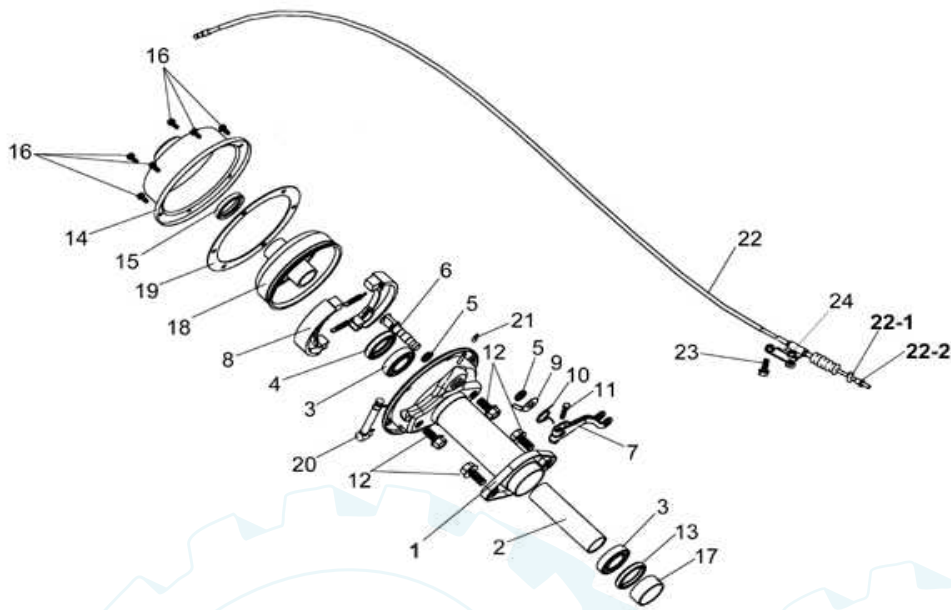
22. FRONT BRAKE



ITEM	PART NO	DESCRIPTION	Q'TY
22		FRONT BRAKE	
22-1	D5351-9FA0-0000	FRONT BRAKE PANEL COMP., LEFT	1
22-2	D5352-9FA0-0000	FRONT BRAKE PANEL COMP., RIGHT	1
22-3	I0050-06010	SCREW, SOCKET (M6×10)	6
22-4	D5120-9FA0-0000	FRONT BRAKE SHOE COMP. (ψ80)	2
22-5	D5141-FIA0-0000	FRONT BRAKE ARM CAM	2
22-6	D5149-5EA0-0000	FELT SEAL	2
22-7	D5410-9FA0-0000	FRONT BRAKE ARM, LEFT	1
22-8	D5411-9FA0-0000	FRONT BRAKE ARM, RIGHT	1
22-9	I0020-05024	BOLT (M5×24)	2
22-10	E5450-9FA0-0000	CABLE, FRONT BRAKE	2
22-10-1	E5452-FIA0-0000	NUT, ADJUSTING	2

ERING

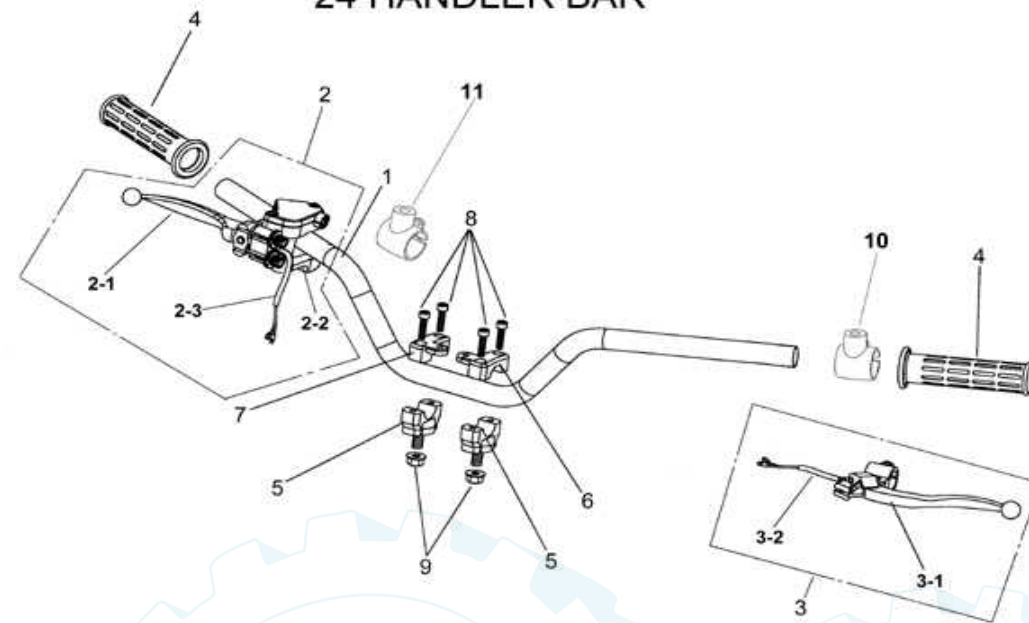
23 REAR BRAKE



ITEM	PART NO	DESCRIPTION	Q'TY
23		REAR BRAKE	
23-1	D2310-5EA0-0000	BEARING SEAT ASSY., REAR WHEE	1
23-2	D2311-5EA0-0000	SPACER	1
23-3	I6100-6006ZZ	BEARING(6006Z)	2
23-4	D2315-9EA0-0000	OIL SEAL (38×55×10)	1
23-5	D2314-5EA0-0000	OIL SEAL(ψ14×ψ20×4)	2
23-6	D3141-5EA0-0000	BRAKE ARM CAM, REAR	1
23-7	D3410-5EA0-0000	BRAKE ARM, REAR	1
23-8	D3120-5EA0-0000	BRAKE SHOE COMP., REAR(ψ130)	1
23-9	D3145-5EA0-0000	BRAKE INDICATOR, REAR	1
23-10	D3419-5EA0-0000	RETURN SPRING, REAR	1
23-11	I0020-06030	BOLT(M6×30)	1
23-12	I0141-12025-01	BOLT,FLANGE(M12×25) (SUS)	4
23-13	D2313-9EA0-0000	OIL SEAL(42×55×8)	1
23-14	D3615-FIA0-0000	DRUM COVER, REAR	1
23-15	D2315-FIA0-0000	OIL SEAL (43×62×12)	1
23-16	I8557-06012	SCREW, WITH WASHER(M6×12)	6
23-17	D0114-9EA0-0000	SPACER	1
23-18	D3610-9FA0-1000	REAR BRAKE DRUM	1
23-19	D3611-5EA0-0000	GASKET, REAR DRUM COVER	1
23-20	D2316-5EA0-0000	DRAIN PIPE ASSY.	1
23-21	D2319-5EA0-0000	PLUG, PURGE HOLE	1
23-22	E3450-9FA0-0000	CABLE, REAR BRAKE	1
23-22-1	E3453-5EA0-0000	CIRCULAR CYINDER	1
23-22-2	E3454-9FA0-0000	NUT,ADJUSTING	1
23-23	I0149-08030	BOLT,FLANGE (M8×30)	1
23-24	I5611-08200	NUT,FLANGE CHECK(M8)	1

ERING

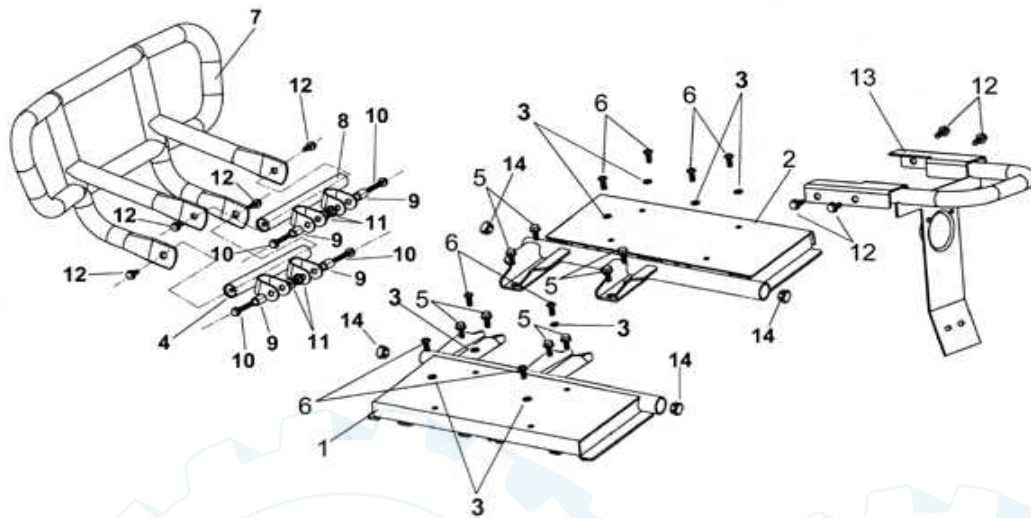
24 HANDLER BAR



ITEM	PART NO	DESCRIPTION	Q'TY
24		HANDLE BAR	
24-1	E3100-9FA0-0000	HANDLE BAR ASSY.	1
24-2	E3180-5FA0-0000	LEVEL ASSY., (RIGHT)	1
24-2-1	E3181-5FA0-0000	LEVEL,(RIGHT)	1
24-2-2	E319A-5FA0-0000	LEVEL,ACCELERATE	1
24-2-3	E3174-5FA0-0000	BRAKE SWITCH ASSY	1
24-3	E3170-5EB0-0010	LEVEL ASSY., (LEFT)	1
24-3-1	E3171-5EB0-0000	LEVEL,(LEFT)	1
24-3-2	E3174-5EA0-0000	BRAKE SWITCH ASSY	1
24-4	E3166-5EA0-0000	GRIP HANDLE	2
24-5	E3112-5EA0-0000	HANDLE BAR CLAMP, BOTTOM	2
24-6	E3110-5EA0-0000	HANDLE BAR CLAMP, CAP, (LEFT)	1
24-7	E3111-5EA0-0000	HANDLE BAR CLAMP, CAP, (RIGHT)	1
24-8	I0050-06025	BOLT,SOCKET(M6x25)	4
24-9	I5611-10200	NUT,FLANGE CHECK(M10)	2
24-10	E3113-5FA0-0000	A MIRRER BRACKET (LEFT)	1
24-11	E3114-5FA0-0000	A MIRRER BRACKET(RIGHT)	1

ERING

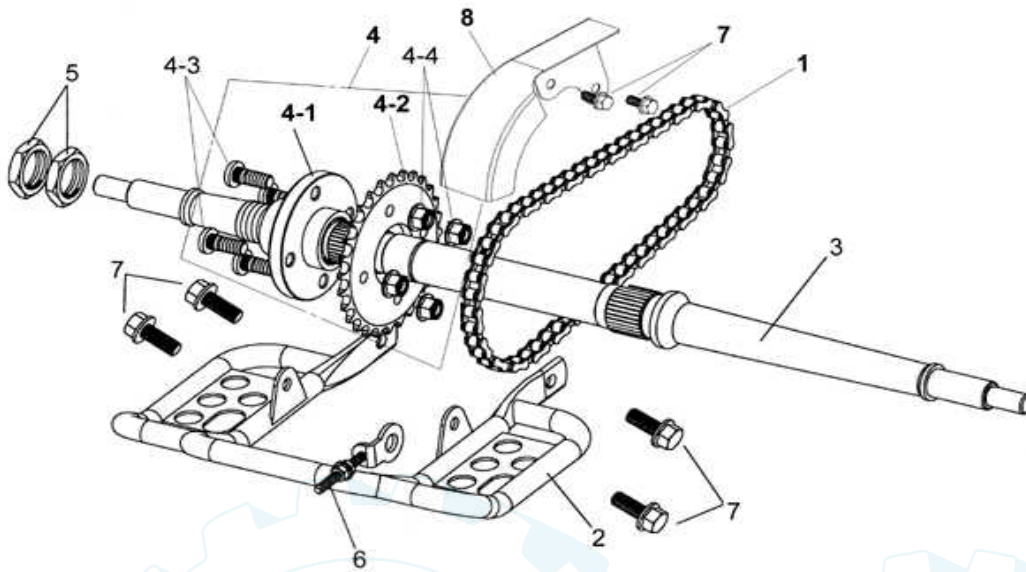
25. BUMPER, FOOTRESR



ITEM	PART NO	DESCRIPTION	Q'TY
25		BUMPER, FOOTREST BAR	
25-1	E0700-9FA0-0000	FOOTREST BAR,LEFT ASSY	1
25-2	E0706-9FA0-0000	FOOTREST BAR,RIGHT ASSY	1
25-3	C510C-FIA0-0000	RUBBER PAD WASHER	8
25-4	E0404-5FA0-0000	BUMPER FRONT BRACKET(B)	1
25-5	I0149-10020	BOLT,FLANGE (M10×20)	8
25-6	I8310-06020-01	BUTTON HEAD SCREW(M6×20)	8
25-7	E0400-FIA0-0000	BUMPER FRONT, ASSY.	1
25-8	E0403-5FA0-0000	BUMPER FRONT BRACKET(A)	1
25-9	E0402-9FA0-0000	COLLAR, BUMPER	4
25-10	I0149-08040	BOLT,FLANGE (M8×40)	4
25-11	I5611-08200	NUT,FLANGE CHECK(M8)	4
25-12	I0149-08016	BOLT,FLANGE (M8×16)	8
25-13	E0410-5FA0-0000	REAR BAR ASSY.	1
25-14	E0707-9FA0-0000	PLUG, FOOTREST PLATE	4

ERING

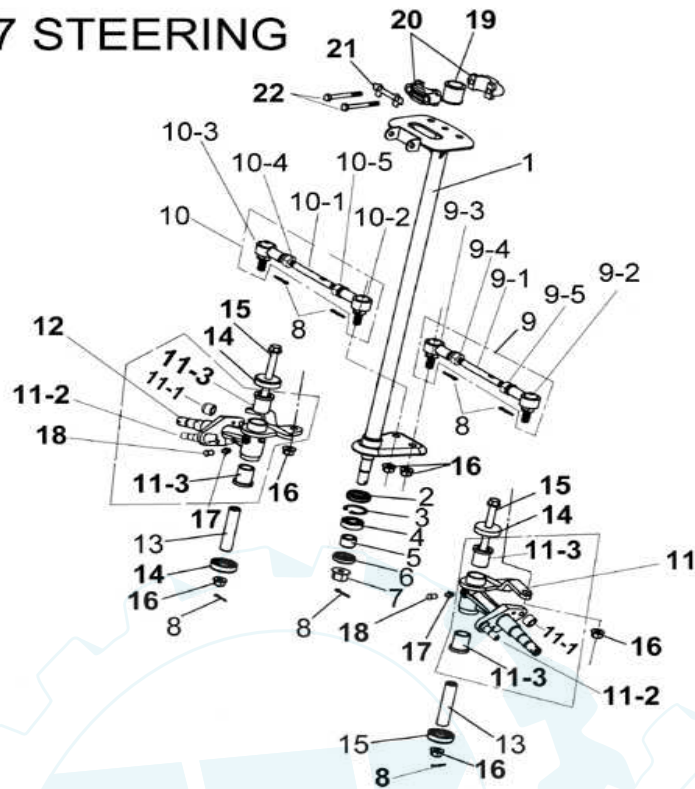
26. CHAIN, REAR WHEEL AXLE



ITEM	PART NO	DESCRIPTION	Q'TY
26		CHAIN, REAR WHEEL AXLE	
26-1	D0100-9FA0-0000	DRIVE CHAIN ASSY. (#520,48)	1
26-2	D0101-9FA0-0000	PROTECT COVER	1
26-3	D2301-9EA0-0000	REAR AXLE	1
26-4	D0110-9EA0-0000	DRIVE CHAIN ASSY (28T)	1
26-4-1	D0111-9EA0-0000	SPROCKET HOLDER,REAR	1
26-4-2	D1111-9EA0-0000	GEAR (520×28T)	1
26-4-3	D2706-9EA0-0000	STUD(M10)	4
26-4-4	I5611-10200	NUT,HEXAGON CHECK(M10)	4
26-5	D2302-9EA0-0000	NUT REAR WHEEL AXLE(M28×1.5)	2
26-6	D0120-9EA0-0000	ADJUSTER, CHAIN	1
26-7	I0149-08016	BOLT,FLANGE(M8×12)	6
26-8	D0510-9FA0-0000	DRIVE CHAIN COVER	1

ERING

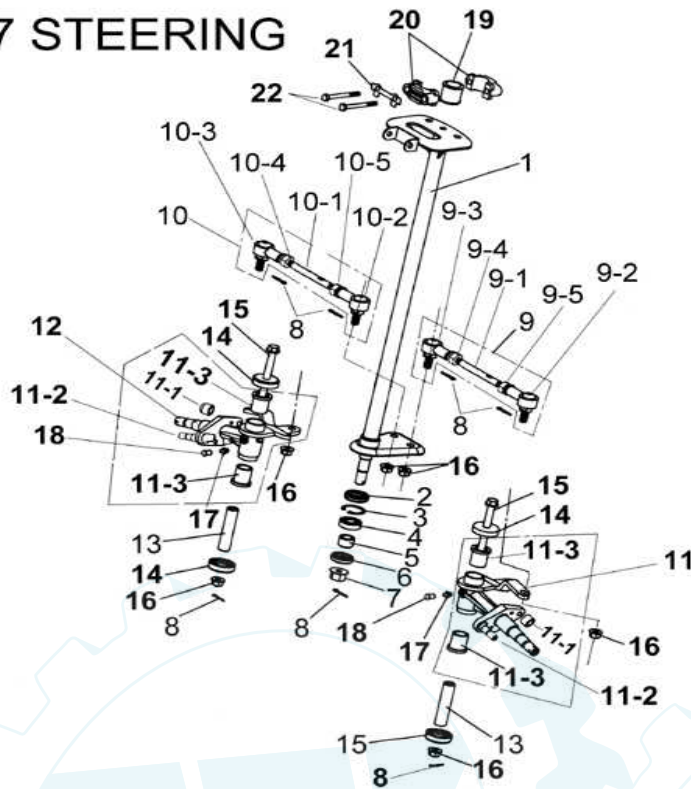
27 STEERING



ITEM	PART NO	DESCRIPTION	Q'TY
27		STEERING	
27-1	E3200-5FA0-0000	SHAFT ASSY., STEERING	1
27-2	I3102-5AC0-0000	OIL SEAL($\psi 22 \times \psi 35 \times 7$)	1
27-3	I4510-32000	CIRCLIP	1
27-4	I6100-6002ZZ	BEARING	1
27-5	D4620-5EA0-0000	INNER SPACER($\psi 15 \times \psi 21.7 \times 15$)	1
27-6	E3201-5EA0-0000	OIL SEAL($\psi 18 \times \psi 32 \times 7$)	1
27-7	I5611-14200	NUT, FLANGE CHECK(M14)	1
27-8	I9900-25019	COTTER PIN	7
27-9	E0258-9FA0-0000	STEERING TIE-ROD ASSY., LEFT	1
27-9-1	E0251-9FA0-0000	BOLT, STUD	1
*27-9-2	E0255-FIA0-0000	UNIVERSAL JOINT(L)	1
*27-9-3	E0256-FIA0-0000	UNIVERSAL JOINT(R)	1
*27-9-4	E0252-5EA0-0000	NUT(R)	1
*27-9-5	E0253-5EA0-0000	NUT(L)	1
27-10	E0259-9FA0-0000	STEERING TIE-ROD ASSY., RIGHT	1
*27-10-1	E0251-9FA0-0000	BOLT, STUD	1
*27-10-2	E0255-FIA0-0000	UNIVERSAL JOINT(L)	1
*27-10-3	E0256-FIA0-0000	UNIVERSAL JOINT(R)	1
*27-10-4	E0252-5EA0-0000	NUT(R)	1
*27-10-5	E0253-5EA0-0000	NUT(L)	1
27-11	E0205-9FA0-0000	KNUCKLE, LEFT ASSY	1
*27-11-1	D5142-9FA0-0000	SLEEVE, FRONT BRAKE ARM CAM	2
*27-11-2	D5144-9FA0-0000	FRONT BRAKE DRUM	2
*27-11-3	E0206-9FA0-0000	OIL LINER($\phi 17$)	4
27-12	E0215-9FA0-0000	KNUCKLE, RIGHT ASSY	1
27-13	E0211-9FA0-0000	SLEEVE	2
27-14	E0203-9FA0-0000	CAP($\psi 38 \times 10 \times 10$)	4
27-15	I0102-10105	PIN HOLE BOLT, FLANGE(M10 \times 105)	2

ERING

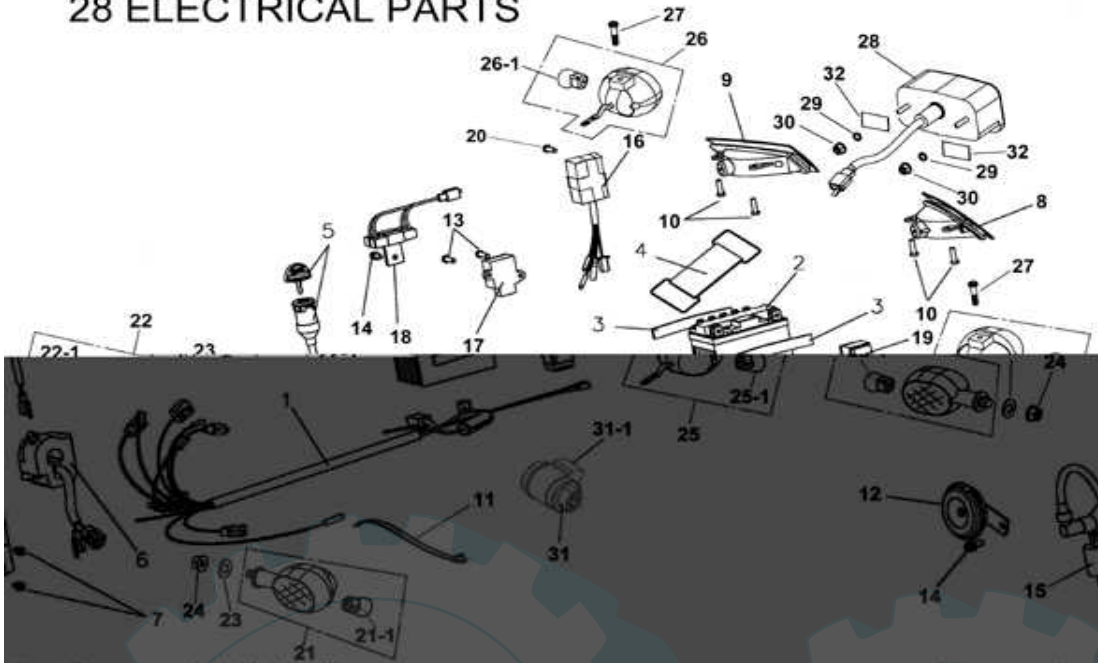
27 STEERING



ITEM	PART NO	DESCRIPTION	Q'TY
27		STEERING	
27-16	I5611-10200	NUT,FLANGE CHECK (M10)	6
27-17	I6600-06000	GREASE VALVE	2
27-18	E0209-5EA0-0000	CAP, GREASE VALVE	2
27-19	E3225-5EA0-0000	PU BUSH SLEEVE, STEERING SHAF	1
27-20	E3202-9FA0-0000	HOLDER, STEERING SHAFT	2
27-21	E3203-9FA0-0000	FIX PLATE, STEERING SHAFT	1
27-22	I0020-08055	BOLT(M8x55)	2

ERING

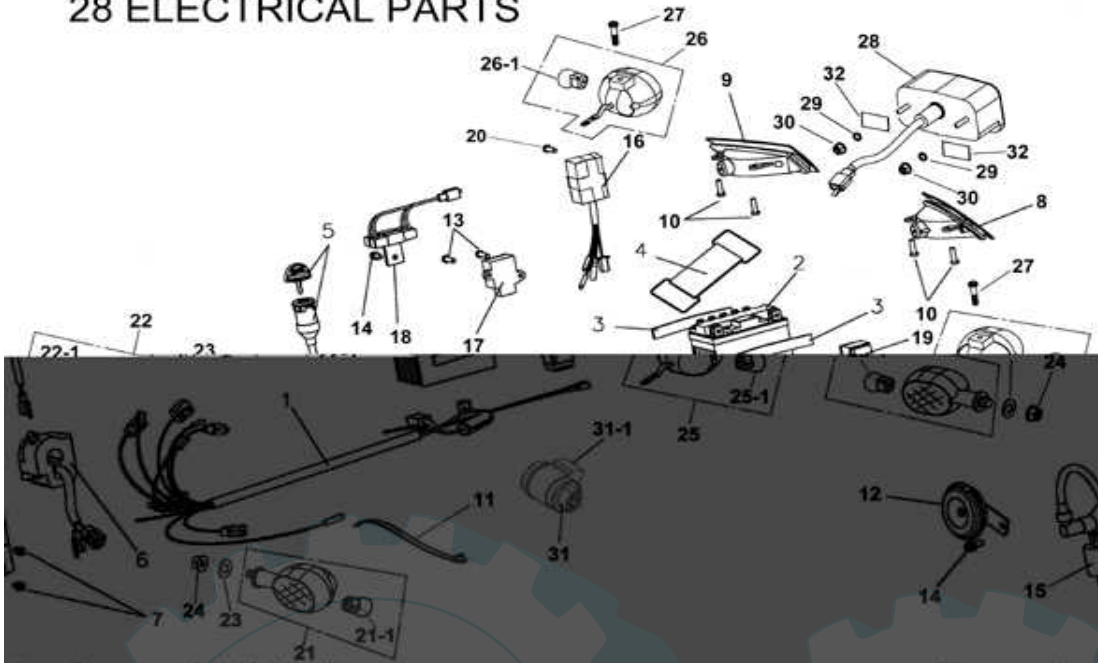
28 ELECTRICAL PARTS



ITEM	PART NO	DESCRIPTION	Q'TY
28		ELECTRICAL PARTS	
28-1	C2100-5FA0-0000	MAIN WIRE ASSY.	1
28-2	C1500-9FA0-0000	BATTERY	1
28-3	C1501-9FA0-0000	FOAM PAD	2
28-4	C1502-9FA0-0000	RUBBER CLAMP, BATTERY(89L)	1
28-5	C5010-9FA0-0000	MAIN SWITCH ASSY.	1
28-6	C5200-5FA0-0000	LEVER HOLDER ASSY., LEFT	1
28-7	I8556-06020	SCREW WITH WASHER(M6×20)	2
28-8	C5031-5FA0-0000	TAIL LIGHT, LEFT	1
28-9	C5032-5FA0-0000	TAIL LIGHT, RIGHT	1
28-10	I7707-04016	SCREW,TAPPING(M4×16)	4
28-11	H3936-5AA0-0000	WIRE CLAMP	1
28-12	C8110-5BA0-E000	HORN	1
28-13	I8506-05016	SCREW,PAN HEAD(M5×12)	2
28-14	I8556-06012	SCREW,PAN HEAD WITH WASHER(2
28-15	C051A-9EA0-0000	IGNITION COIL ASSY.	1
28-16	C1503-9EA0-0000	C.D.I. UNIT ASSY.	1
28-17	C1600-9EA0-0000	RECTIFIER®ULATOR	1
28-18	C5400-9EA0-0000	RESISTOR ASSY	1
28-19	C5850-9EA0-0000	STARTER RELAY ASSY	1
28-20	I8556-06016	SCREW,PAN HEAD(M6×16)	1
28-21	C3451-5FA0-0000	FRONT TURN LAMP ASSY LEFT	1
28-21-1	F1231-5FA0-0000	BULB	1
28-22	C3401-5FA0-0000	FRONT TURN LAMP ASSY RIGHT	1
28-22-1	F1231-5FA0-0000	BULB	1
28-23	I9901-5FA0-0000	WASHER(φ22×11×1.2)	2
28-24	D4611-9EA0-0000	NUT,FLANGE CHECK(M10)	2
28-25	F1240-5FA0-0000	REAR TURN LAMP ASSY,LEFT	1
28-25-1	F1231-5FA0-0000	BULB	1
28-26	F1230-5FA0-0000	REAR TURN LAMP ASSY.,RIGHT	1
28-26-1	F1231-5FA0-0000	BULB	1
28-27	I2110-50000	BOLT,WASHER SPRING	2
28-28	C3700-5BA0-0000	TAILIGHT ASSY	1
28-29	C510C-FIA0-0000	RUBBER PAD WASHER	2

ERING

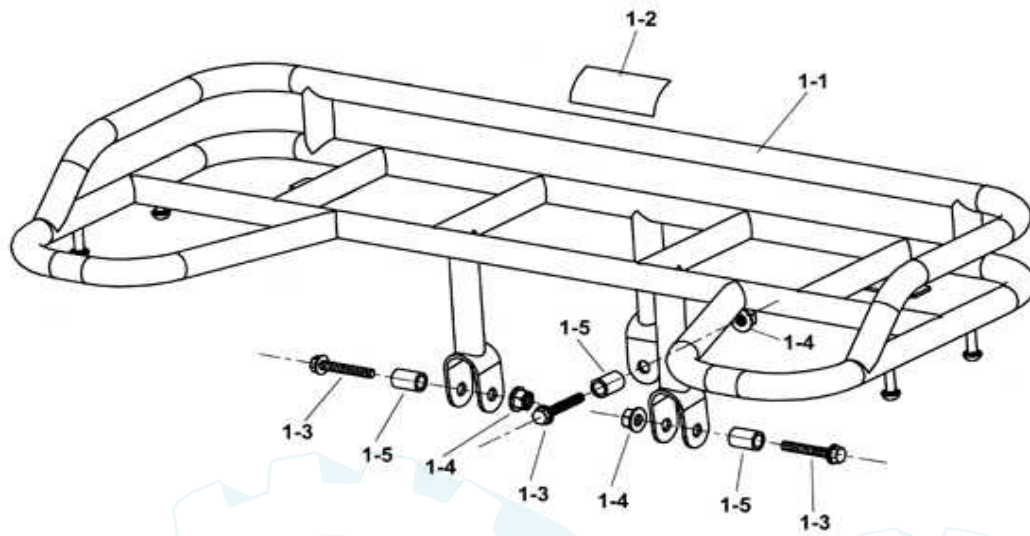
28 ELECTRICAL PARTS



ITEM	PART NO	DESCRIPTION	Q'TY
28		ELECTRICAL PARTS	
28-30	I5611-06200-0G	NUT,CHECK	2
28-31	C830A-EGA0-0000	FLY RELAY ASSY	1
28-31-1	C8302-EGA0-0000	CUSHION WINKER	1
28-32	C1501-5FA0-0000	FOAM STICK	2

ERING

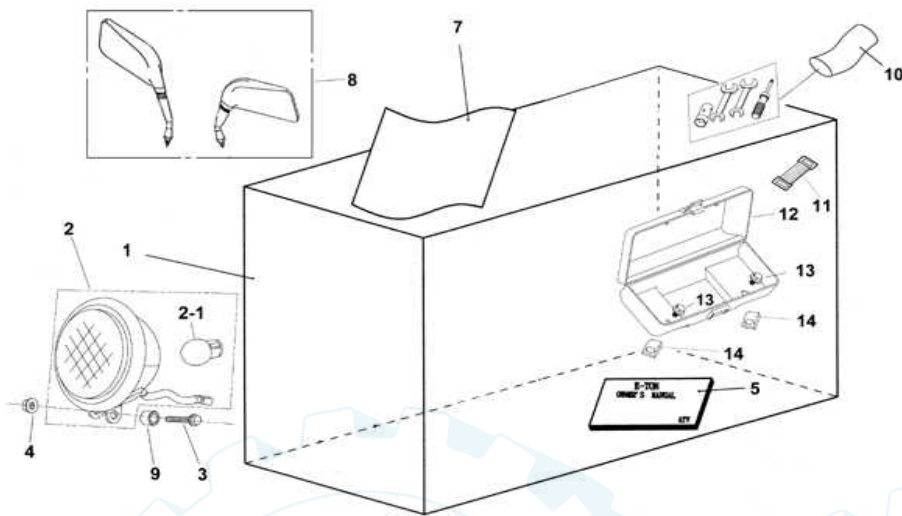
29.REAR RACK ASSY



ITEM	PART NO	DESCRIPTION	Q'TY
29		REAR RACK ASSY	
29-1	E041A-5FA0-0000	REAR RACK ASSY	1
29-1-1	E0411-5FA0-0000	REAR RACK	1
29-1-2	H7113-9FA0-0000	STICKER, REAR RACK	1
29-1-3	I0149-08040	BOLT(M8×40)	3
29-1-4	I5611-08200	FLANGE SELF-LOCK NUT(M8)	3
29-1-5	E0402-9FA0-0000	COLLAR,REAR RACK	3

ERING

30.PACKING CASE,EXTERNAL



ITEM	PART NO	DESCRIPTION	Q'TY
30		PACKING CASE,EXTERNAL	
30-1	H9500-9FA0-0000	PACKING CASE,EXTERNAL	1
30-2	C5030-5FA0-0000	HAED LIGHT ASSY	1
30-2-1	C5003-5FA0-0000	BULB(35w/35w)	1
30-3	I0149-10400	BOLT,FLANGE(M10×400)	1
30-4	D4611-9EA0-0000	NUT,FLANGE CHECK(M10)	1
30-5	H9900-5FA0-0000	OWNER'S MANUAL	1
30-6		PREARRANGED	
30-7	H9907-FIA0-0000	E-TON PRODUCT SET-UP PROCES:	1
30-8	H8100-5BA1-E000	BACK MIRROR ASSY.	1
30-9	E0405-5FA0-0000	HAED COLLAR	1
30-10	H9020-9FA0-0000	TOOL SET	1
30-11	H9021-9FA0-0000	RUBBER CLAMP, TOOL BOX	1
30-12	H9010-5EA0-0000	TOOL BOX	1
30-13	I0149-06016	BOLT,FLANGE (M6×16)	2
30-14	I4071-06080	NUT (M6)	2

ERING